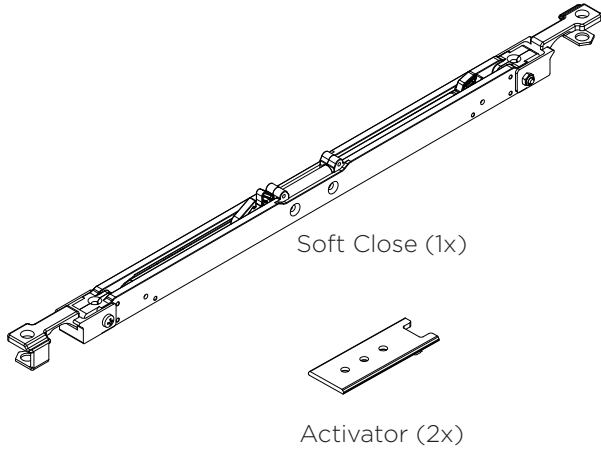


# HUSKY 120 PRO SOFT CLOSE HENDERSON

## FITTING INSTRUCTIONS

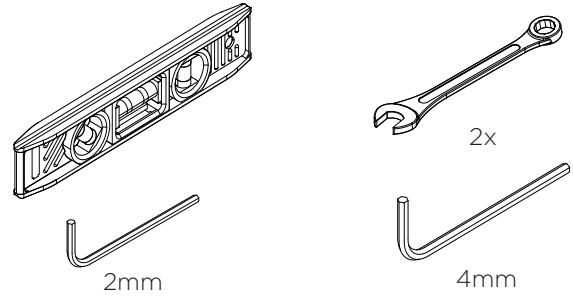
### HUSKY PRO KIT CONTENTS



### KIT AND DOOR SPECIFICATION

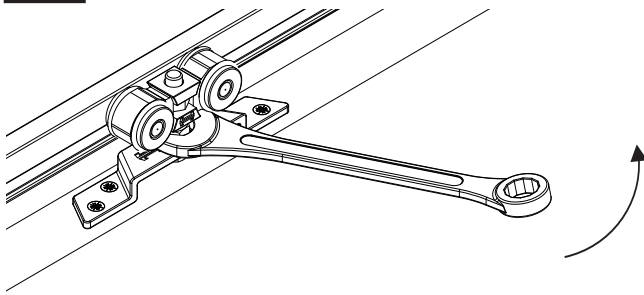
<b>Kit Short Code</b>	kg
SOFTHP120	10 - 120kg

### TOOLS REQUIRED

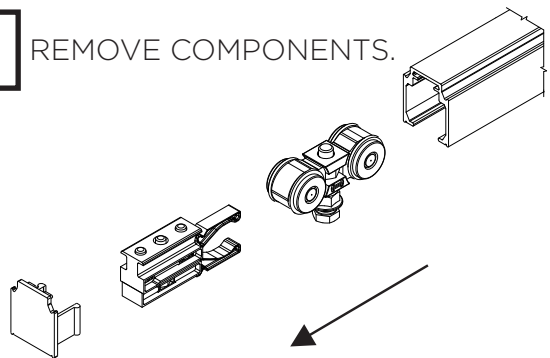


**NOTE:** IF RETRO-FITTING SOFT CLOSE TO PREVIOUSLY INSTALLED DOOR, START AT STEP 1. IF FITTING DURING INITIAL INTSTALLATION, START AT STEP 3.

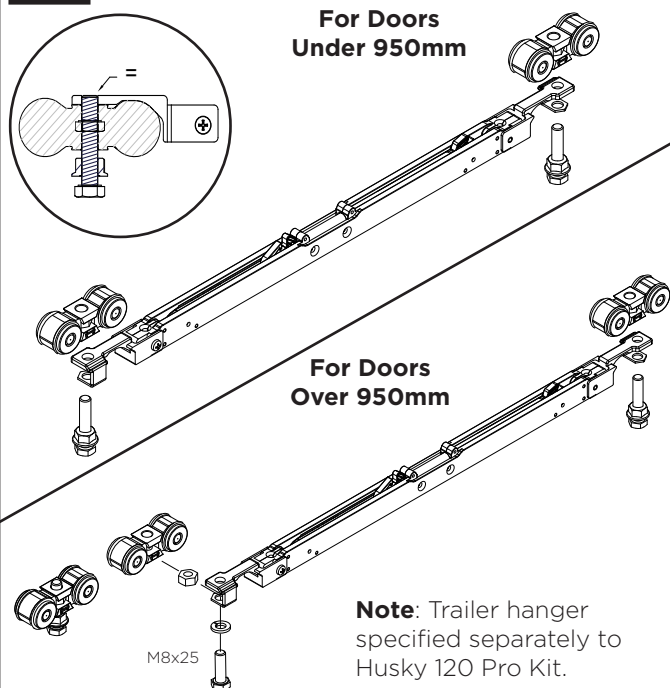
#### 1 LOOSEN NUTS AND REMOVE DOORS.



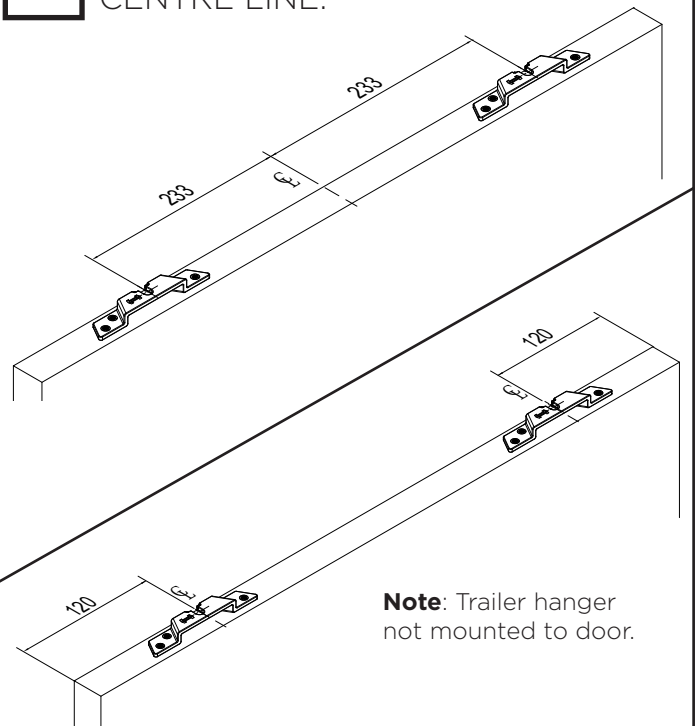
#### 2 REMOVE COMPONENTS.

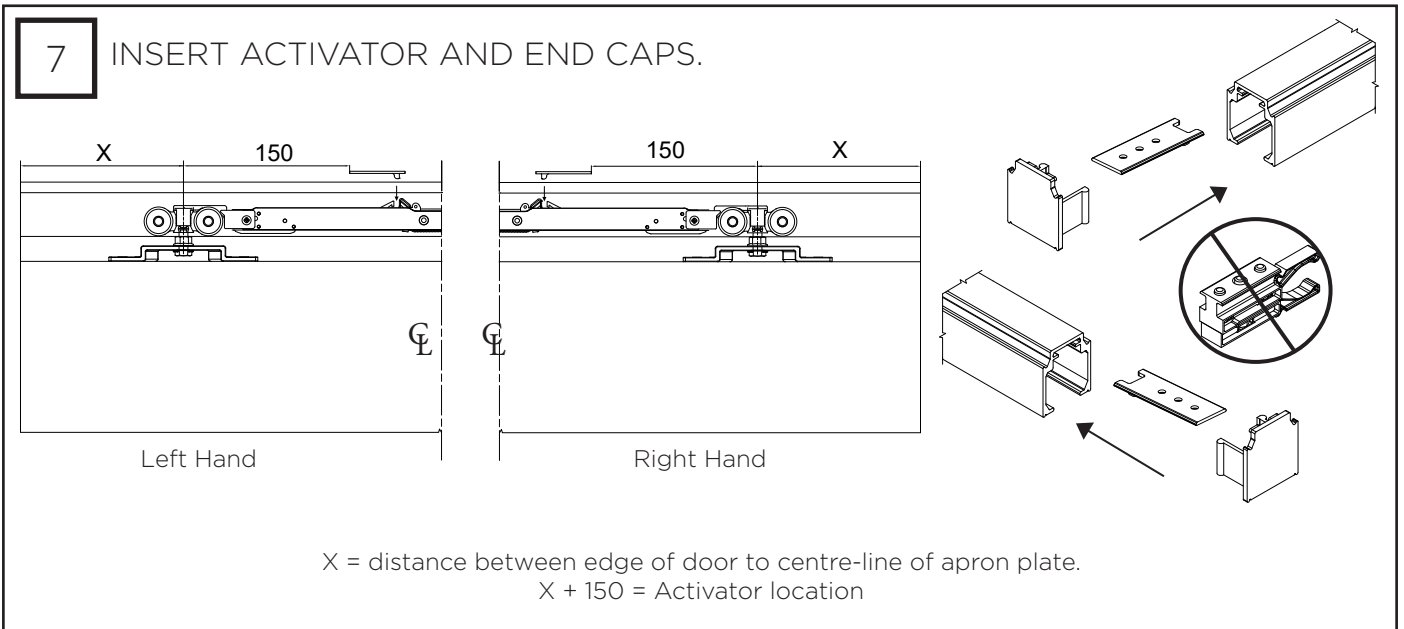
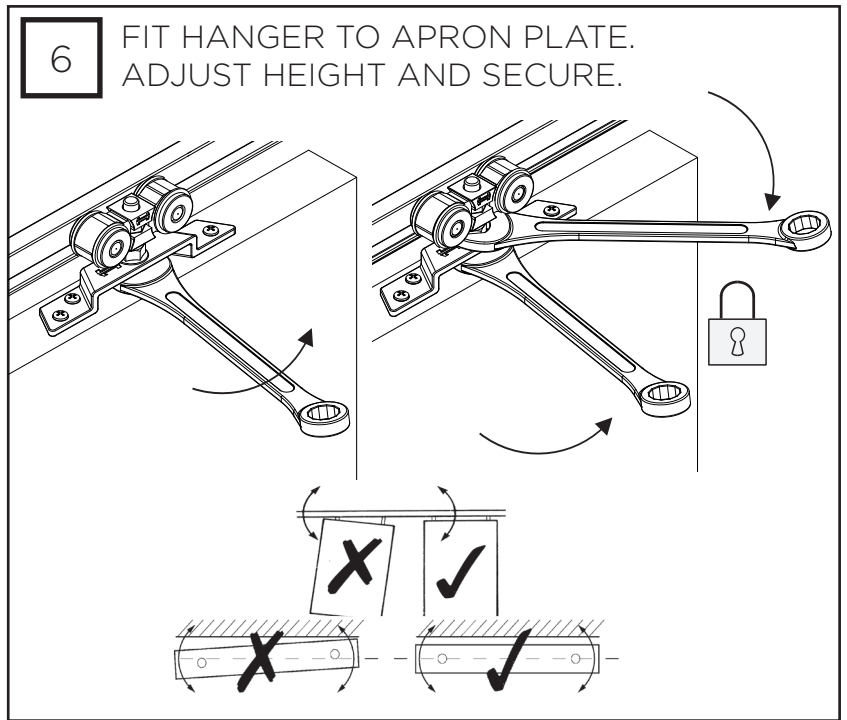
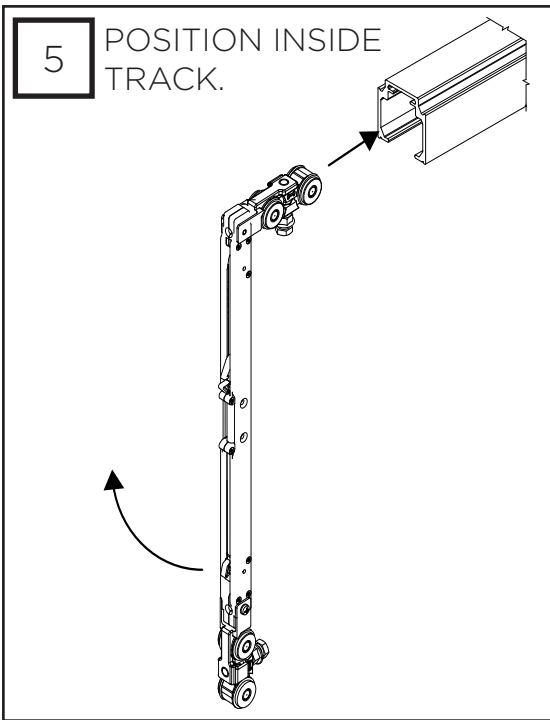


#### 3 CONNECT SOFT CLOSE TO HANGER.



#### 4 FIT APRON PLATES USING DOOR CENTRE LINE.





**P C HENDERSON LTD**

Durham Road, Bowburn,  
 Co. Durham,  
 DH6 5NG

**UK SALES**

t: +44 (0) 191 377 7345  
 e: sales@pchenderson.com  
 w: www.pchenderson.com

**IRELAND SALES**

t: +353 (0)1 643 6816  
 e: sales@pchenderson.ie  
 w: www.pchenderson.ie

**INTERNATIONAL SALES**

t: +44 (0) 191 377 7346  
 e: international@pchenderson.com  
 w: export.pchenderson.com

370771

REV 1

Jun-22