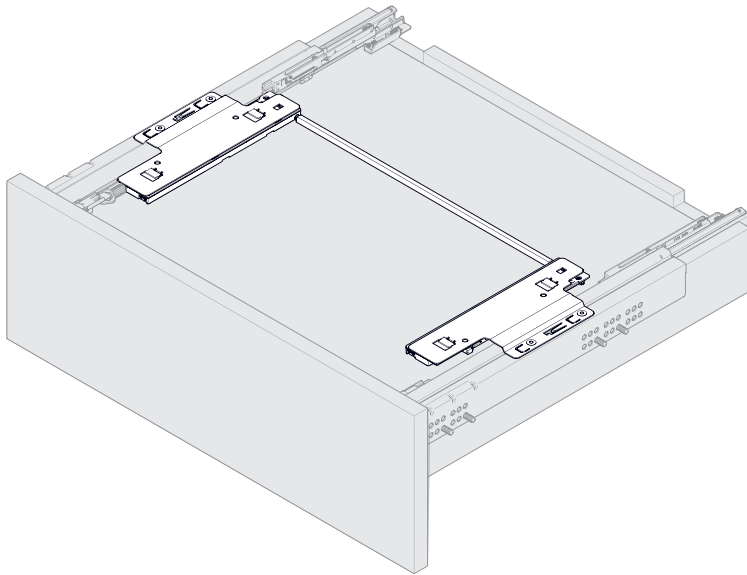
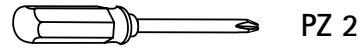
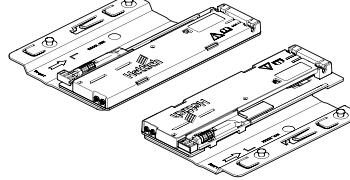


Quadro 4D V6 / Quadro 4D V6 USA / Quadro YOU Push to open Silent

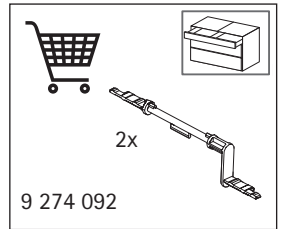
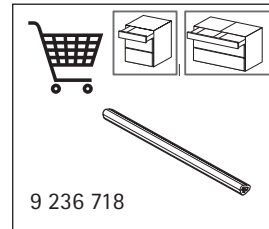
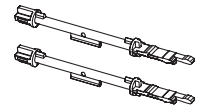
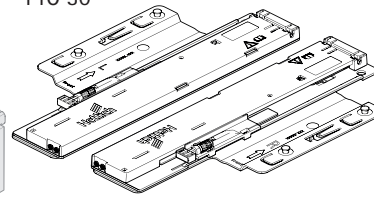
Technik für Möbel



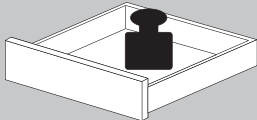
PTO 10/20



PTO 30



i 1

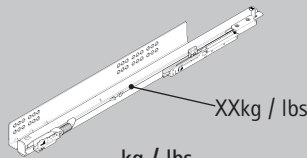


kg

3 - 10

8 - 20

10 - 30

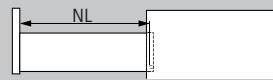


kg / lbs

10 / -

30 / 90

30 / 90

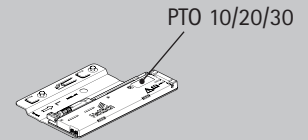


mm /"

250 - 350 / -

250 - 600 / 12" - 24"

350 - 600 / 12" - 24"



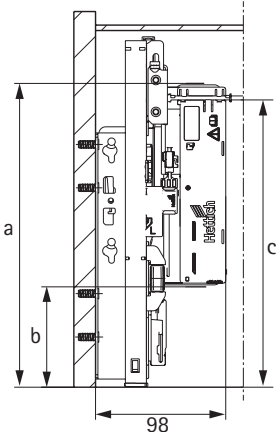
PTO 10/20/30

PTO 10

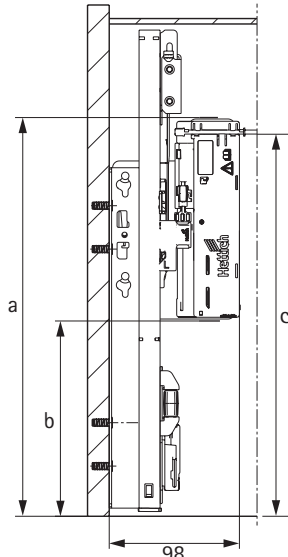
PTO 20

PTO 30

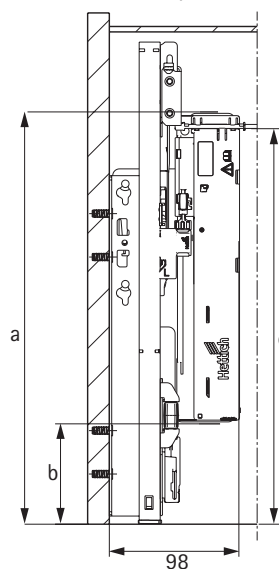
(A)
PTO 10/20
NL 250 - 320 / 12"



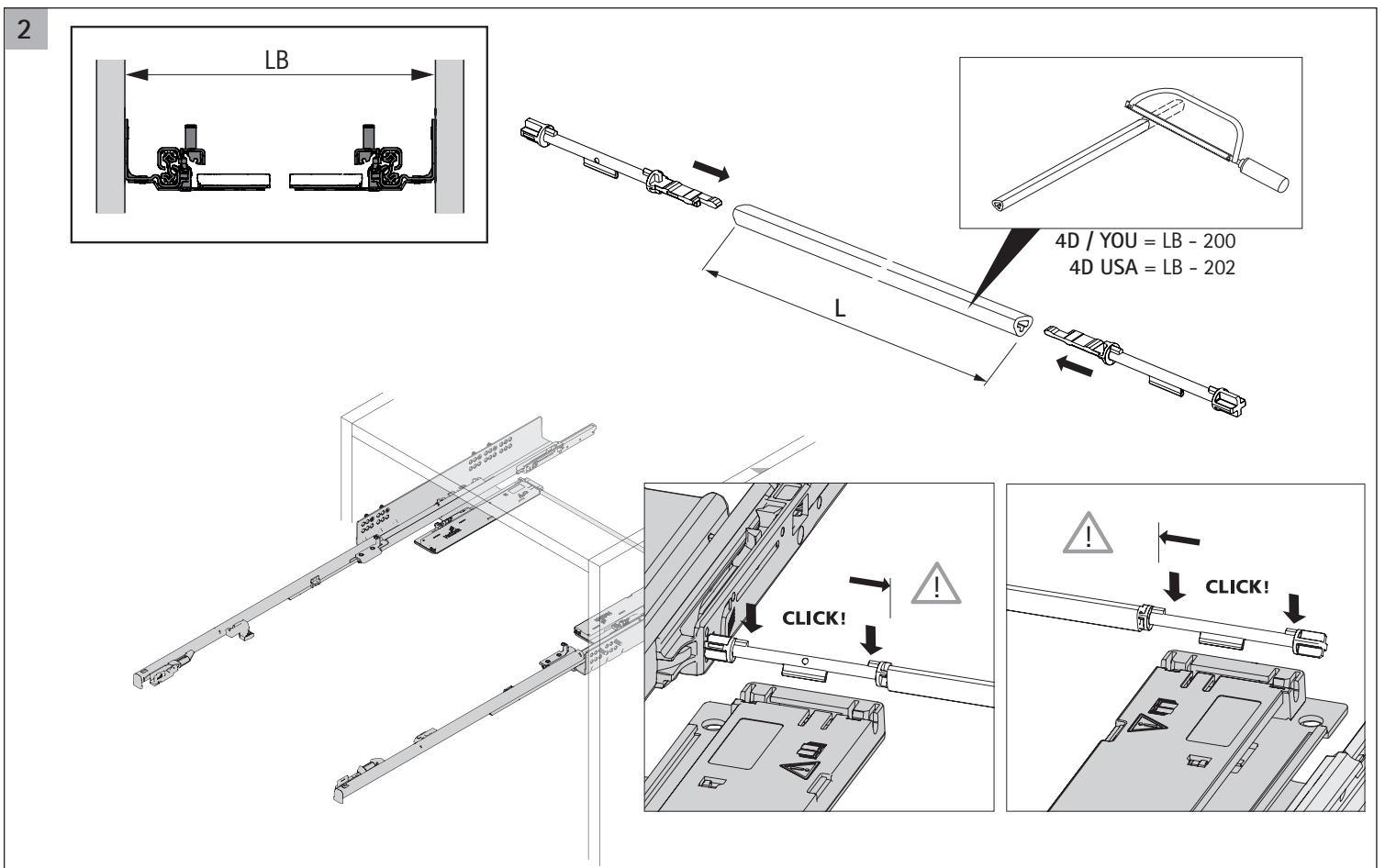
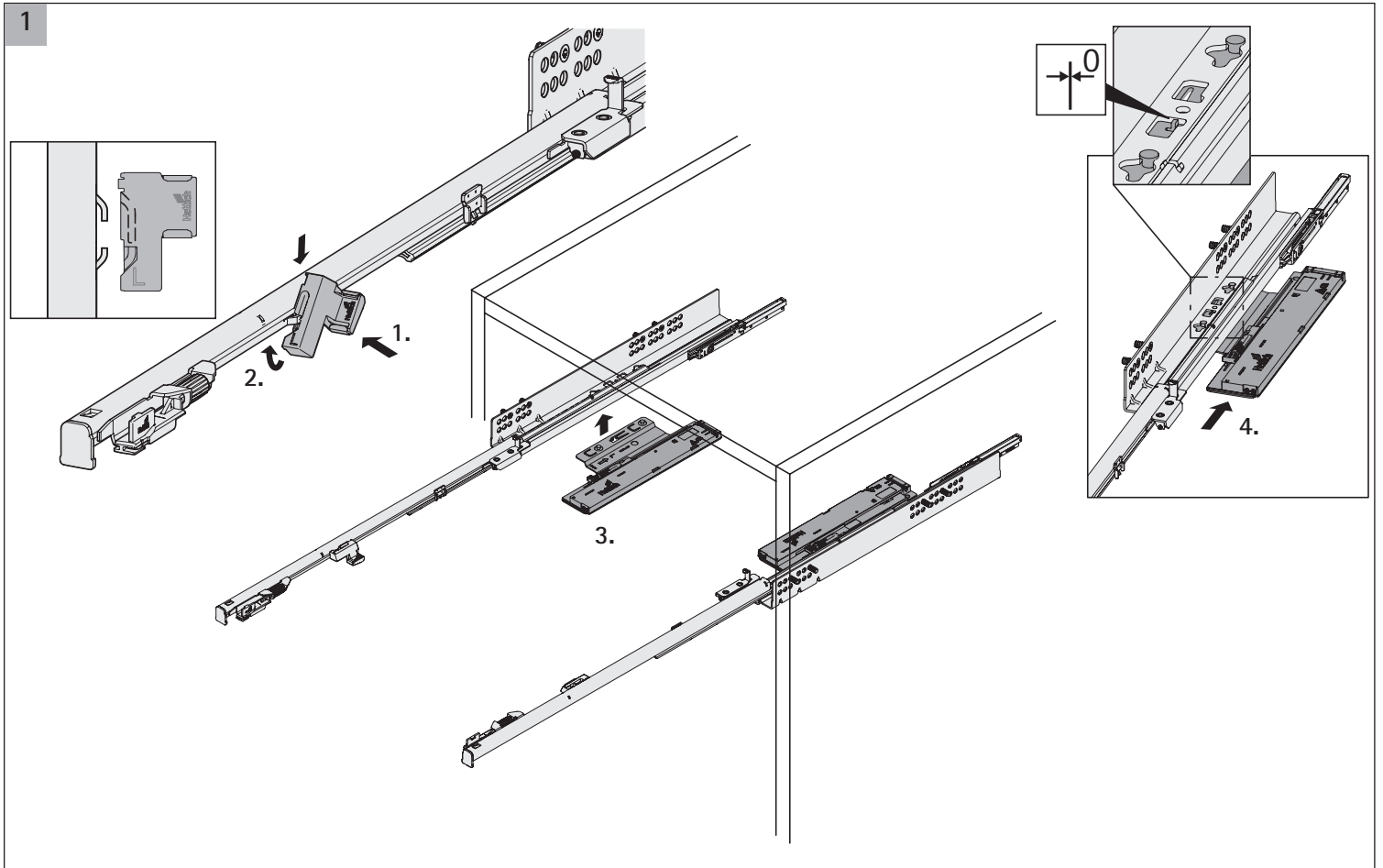
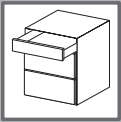
(B)
PTO 10/20
NL 350 - 600 / 15" - 24"



(C)
PTO 30
NL 350 - 600 / 15" - 24"



	A	B	C
a	4D: 224 YOU: 215	4D: 294 4D US: 314 YOU: 286	4D: 304 4D US: 324 YOU: 296
b	4D: 74 YOU: 65	4D: 144 4D US: 164 YOU: 136	4D: 74 4D US: 94 YOU: 66
c	4D: 210 YOU: 201	4D: 280 4D US: 300 YOU: 272	4D: 290 4D US: 310 YOU: 282



3

9 257 326

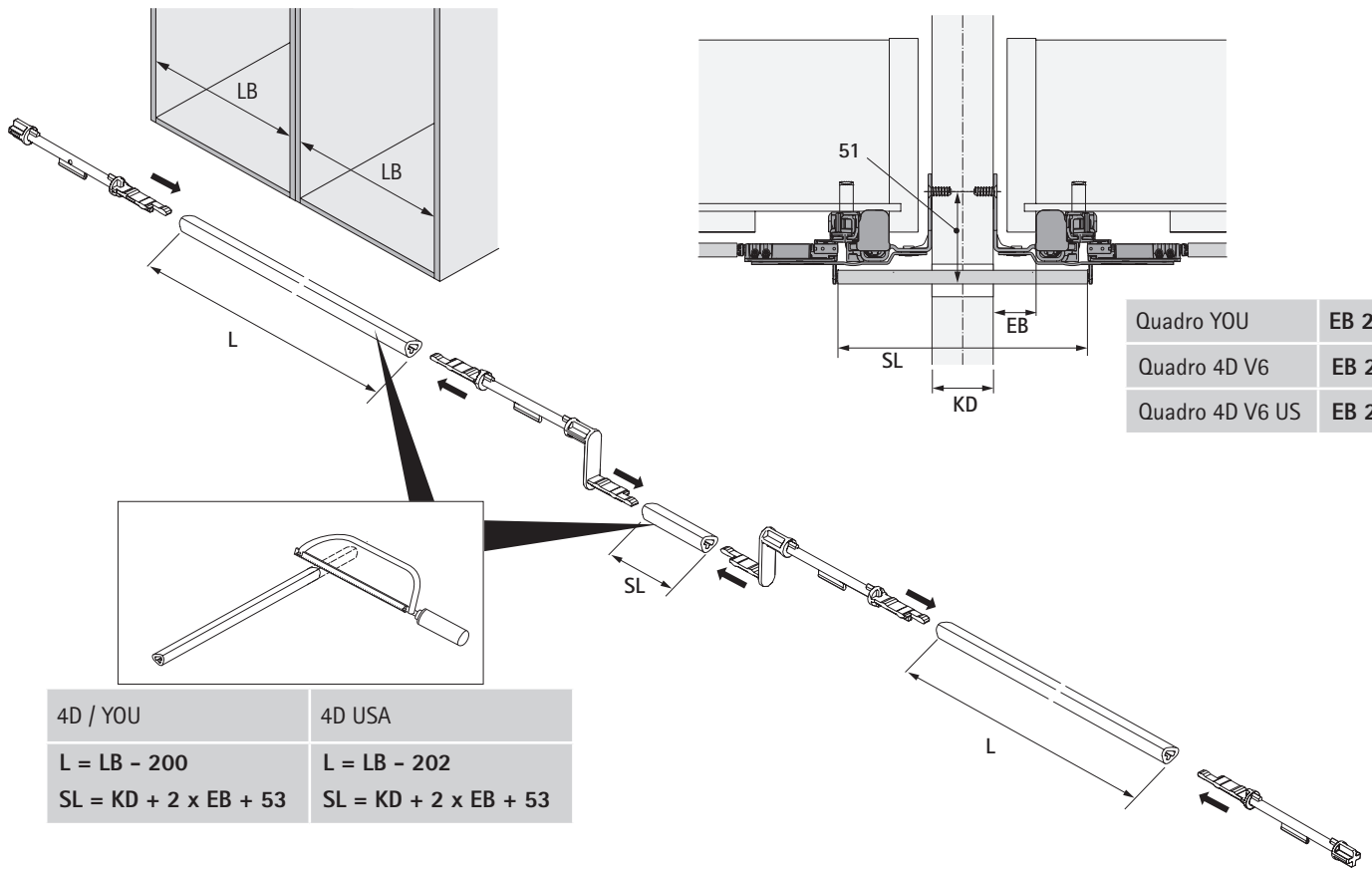
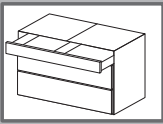
2. ↓

1. →

	4D	4D USA	YOU
X	0,5	18,5	1

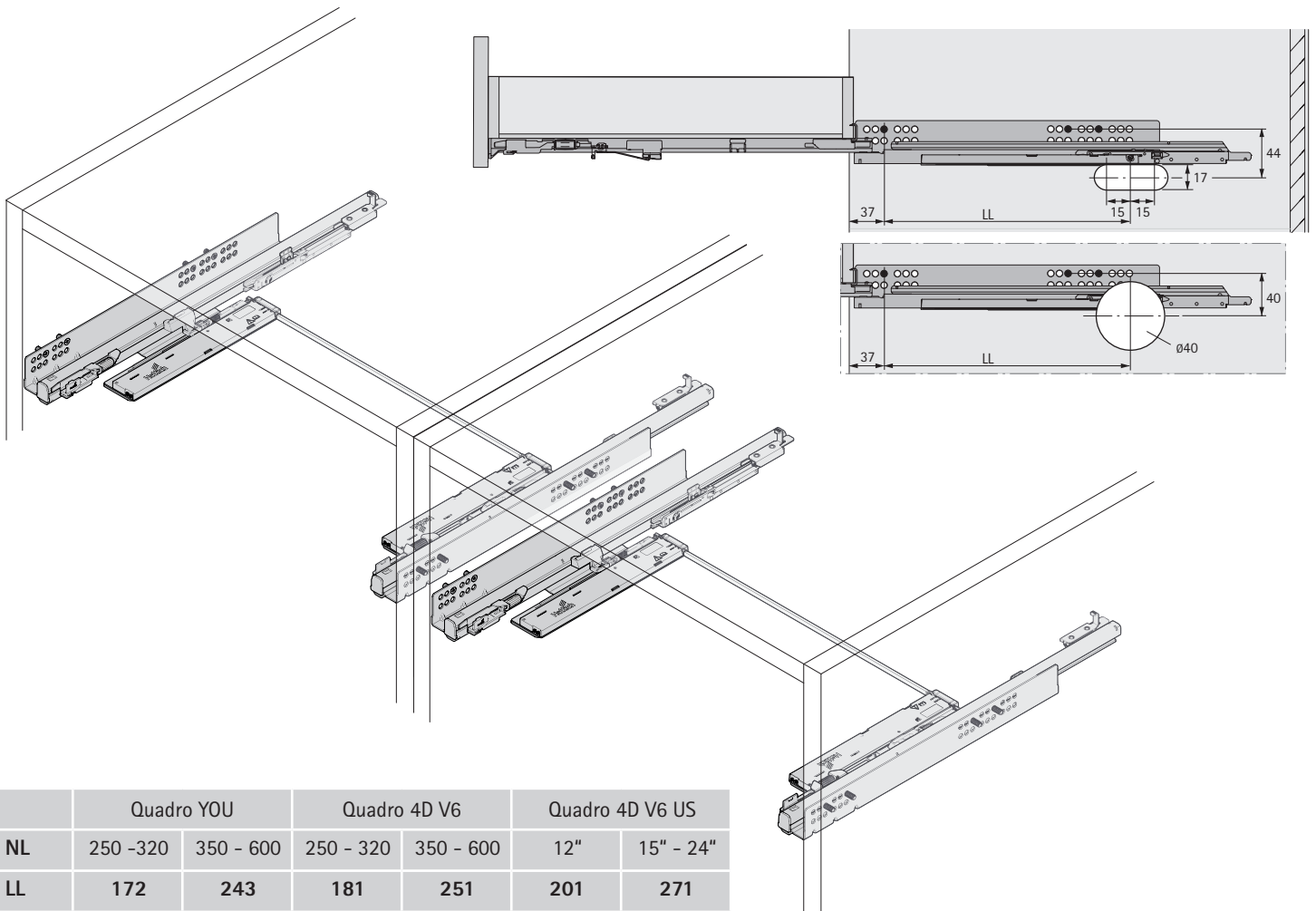
4

Demontage / disassembly



Quadro YOU	EB 21
Quadro 4D V6	EB 22
Quadro 4D V6 US	EB 23

4D / YOU	4D USA
$L = LB - 200$	$L = LB - 202$
$SL = KD + 2 \times EB + 53$	$SL = KD + 2 \times EB + 53$



	Quadro YOU		Quadro 4D V6		Quadro 4D V6 US	
NL	250 - 320	350 - 600	250 - 320	350 - 600	12"	15" - 24"
LL	172	243	181	251	201	271