

BUSTER + PUNCH

LONDON

[product.]

THUMBTURN LOCK / CROSS

[motion. **DEADBOLT.**]

[action. **LOCK.**]

[knurl. **CROSS.**]

[range. **DOOR HARDWARE.**]

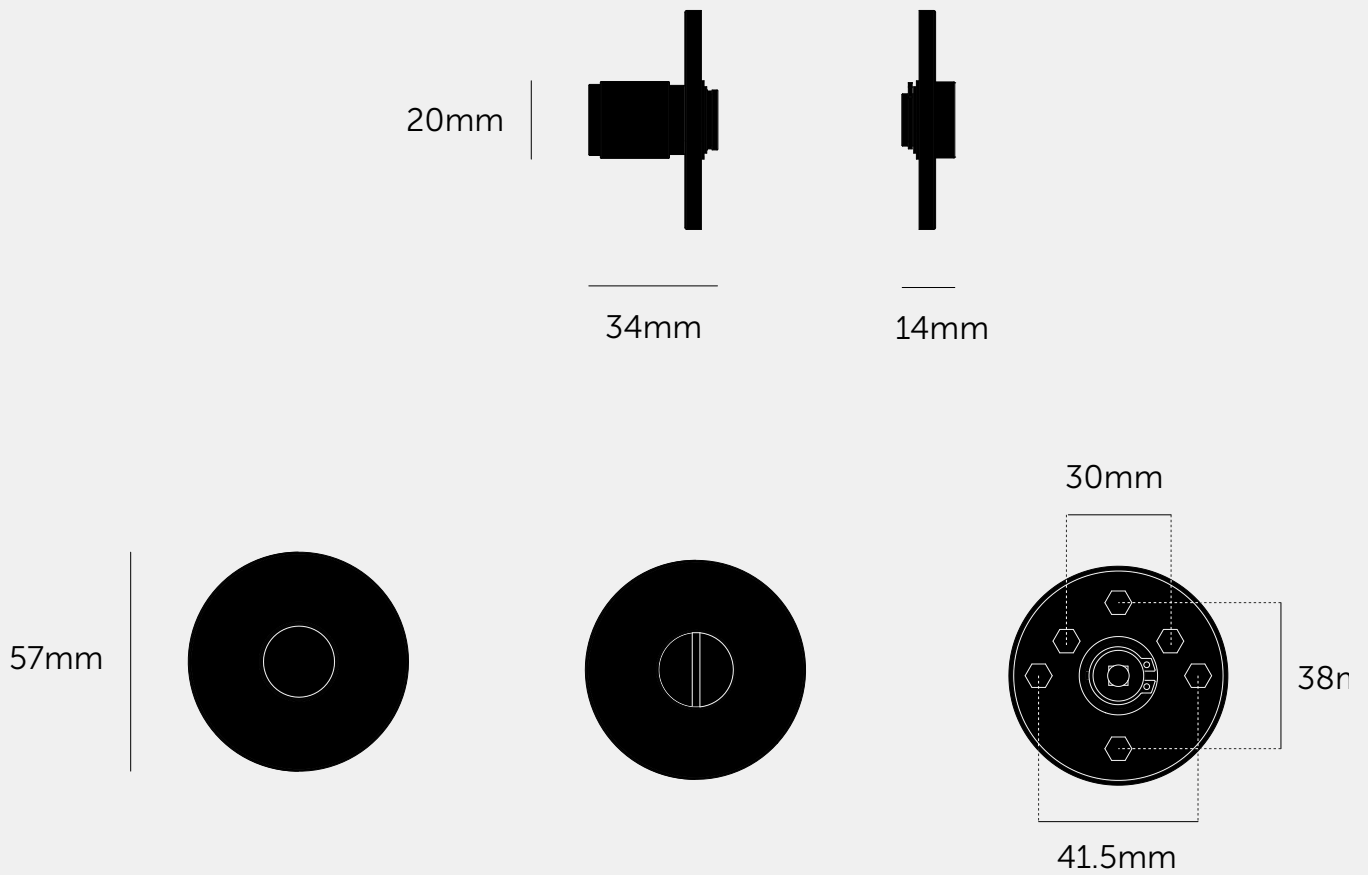
[region. **GERMANY, AUSTRIA, SWITZERLAND +
LUXEMBOURG.**]

An indoor thumbturn lock made from solid metal. A solid knob with diamond-cut knurled detailing, ensuring pleasure with every touch. Works great on internal bathroom & toilet doors and can be teamed up with our matching door lever handles. Available in four metal finishes: steel, brass, smoked bronze and black.



[type. **THUMBTURN LOCK / 38 MM.**]

[info. **MEASUREMENTS.**]



[info. **SPECIFICATIONS.**]

A thumbturn lock, with an architectural 4 mm thick rose. Designed for installation onto locksets or deadbolt latches with 30 mm, 41.5 mm or 38 mm centre-distances. Compatible with either tubular deadbolt latches or mortise locks.

Fits doors of minimum thickness: 36 mm (with supplied fixings*).

* For thicker doors, longer through bolts and a longer spindle will need to be sourced.

[info. **FINISH & SKU NUMBERS.**]

[finish.]

[Germany, Austria, Switzerland + Luxembourg.]

Steel	GDT-072993
Brass	GDT-052991
Smoked Bronze	GDT-092992
Black	GDT-022990

[info. **CARE INSTRUCTIONS.**]

Wipe with damp cloth with no loose hairs, avoid using any chemicals. All finishes are prone to aging.

[info. **INCLUDED.**]

1 x Thumbturn Lock Set

1 x 5 mm x 5 mm Square Spindle

5-8 mm Expansion Sleeve

[info. **RECOMMENDED.**]

Purchase a tubular latch from the Buster + Punch website:

Deadbolt Tubular Latch:

	[57mm Backset.]	[82mm Backset.]
Steel	GLL-071173	GLL-071179
Brass	GLL-051172	GLL-051178
Black	GLL-021175	GLL-021181

[please. **NOTE.**]

DISCLAIMER: Always consult a trade professional when installing these thumbturn locks. Buster + Punch is not responsible for the usage or feasibility of installation requirements. Our door handles are intended for internal use only. Not for commercial use.