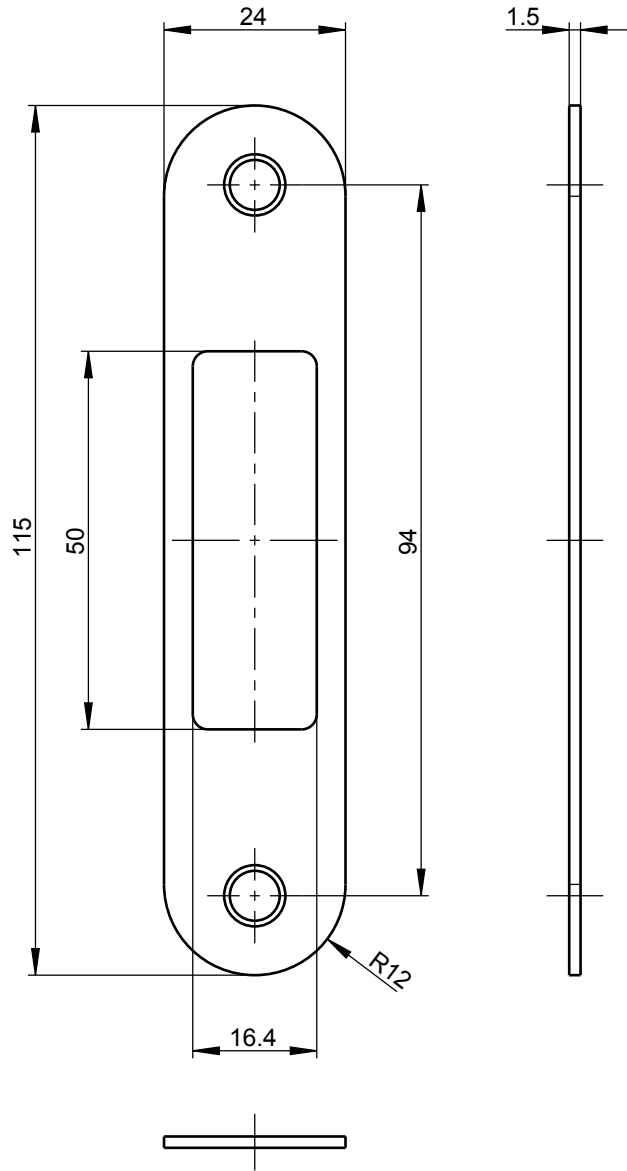


Proprietary rights apply in accordance with ISO 16016.



| |
|---|
| - |
| - |
| - |
| - |
| - |

Description
Lappenschließplatte
--
lipped striker

| | | | | | | | |
|--|--------------------|-------|------------|----|--------------|-----------------------------|--------------|
| | Release No. -- | Level | Released | | Scale 1:1 | Modification 1 | Size 4 |
| | Mod. No. -- | Ver. | -- | -- | | Drawing No. 9-38463-03-0 | Sheet 1/1 |
| | Replacement for -- | Draft | 12.12.2016 | Dr | | | |